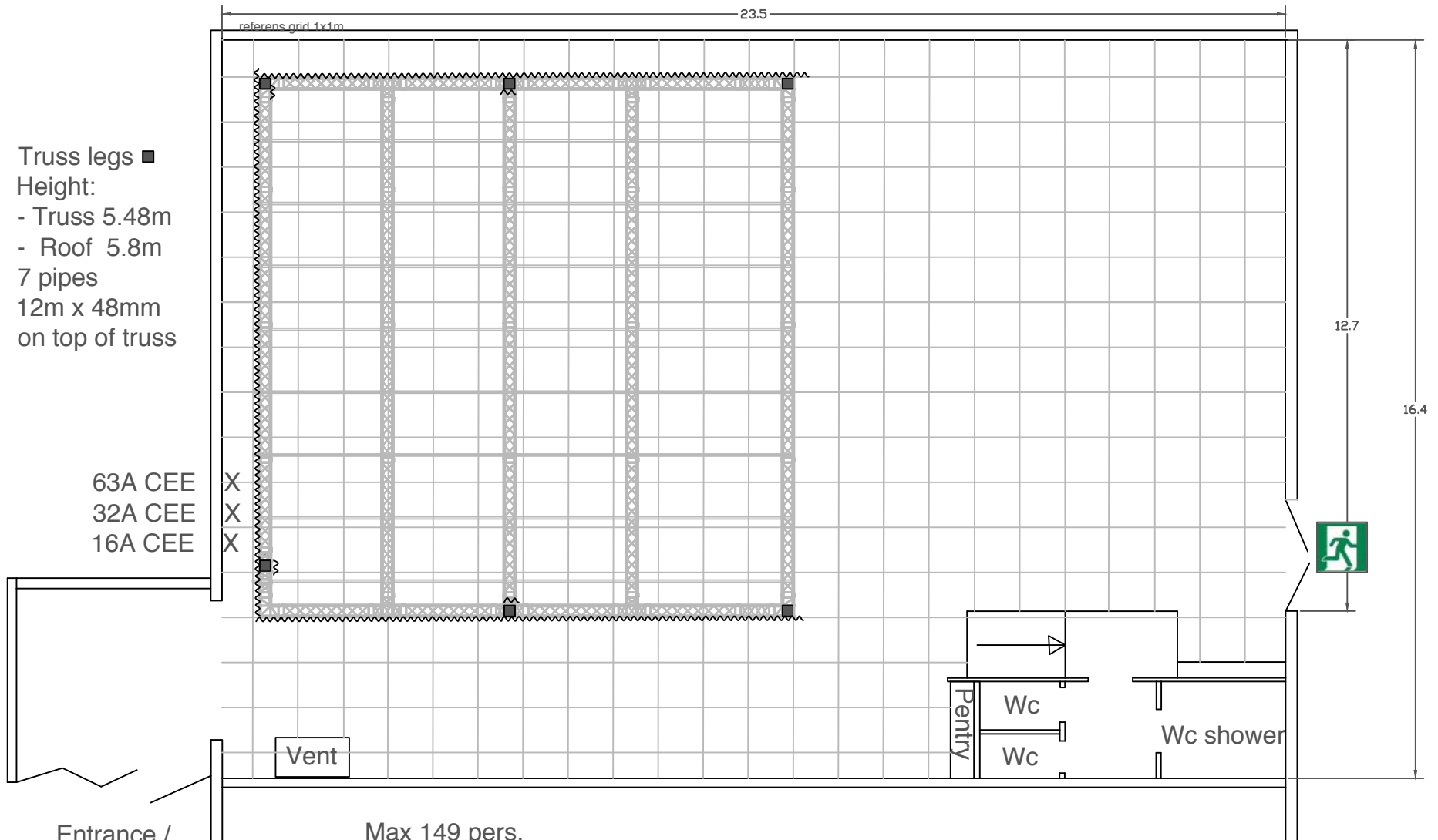


Planritning



Truss legs ■
 Height:
 - Truss 5.48m
 - Roof 5.8m
 7 pipes
 12m x 48mm
 on top of truss

63A CEE
 X
 32A CEE
 X
 16A CEE
 X

Vent

Entrance /
 LoadIn
 Height 3m
 Width 3m

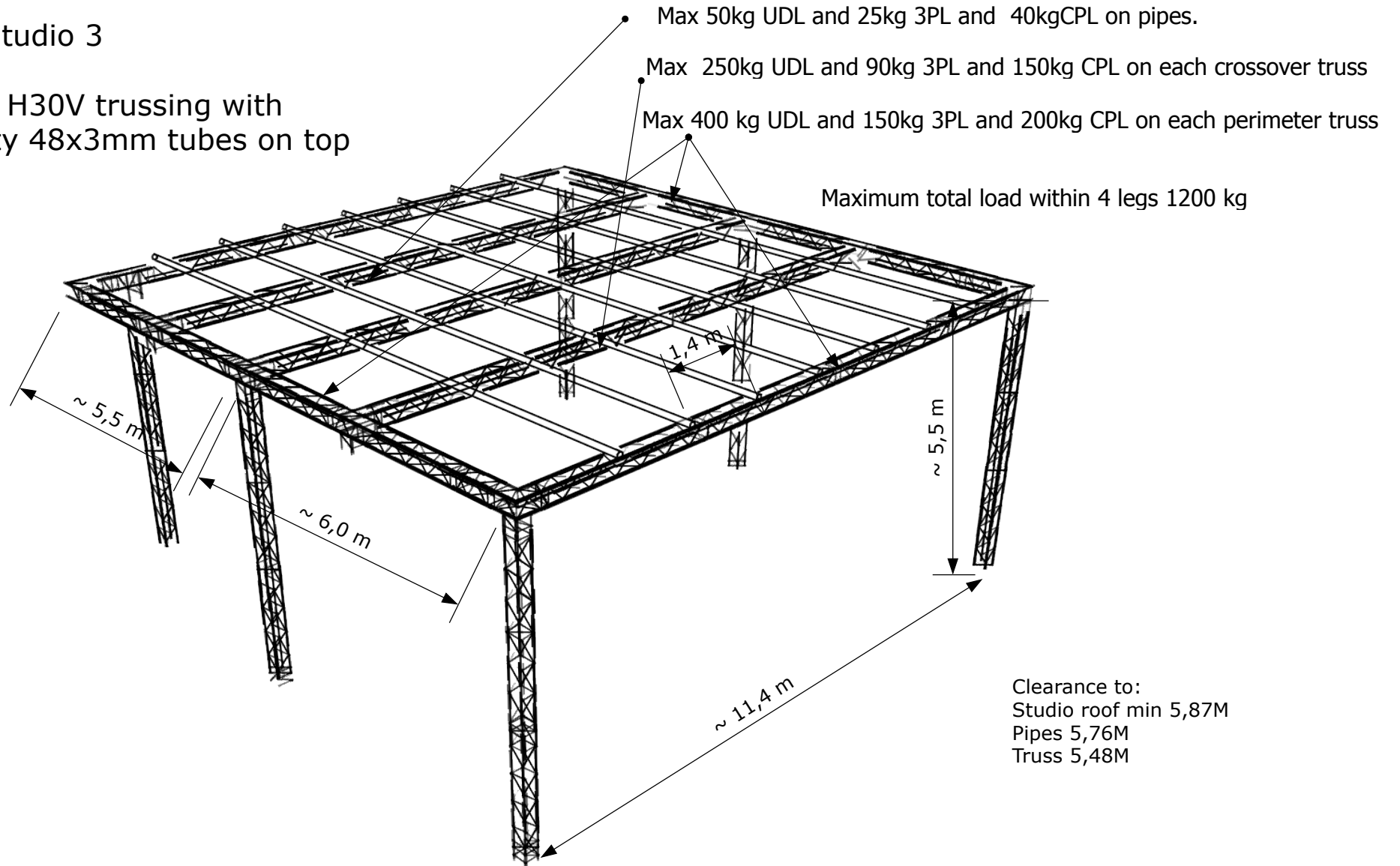
Max 149 pers.
 Area 388sqm.
 ConcreteFloor.
 Truss 12x12m (see drawing)



Maxlaster Tross

Truss Studio 3

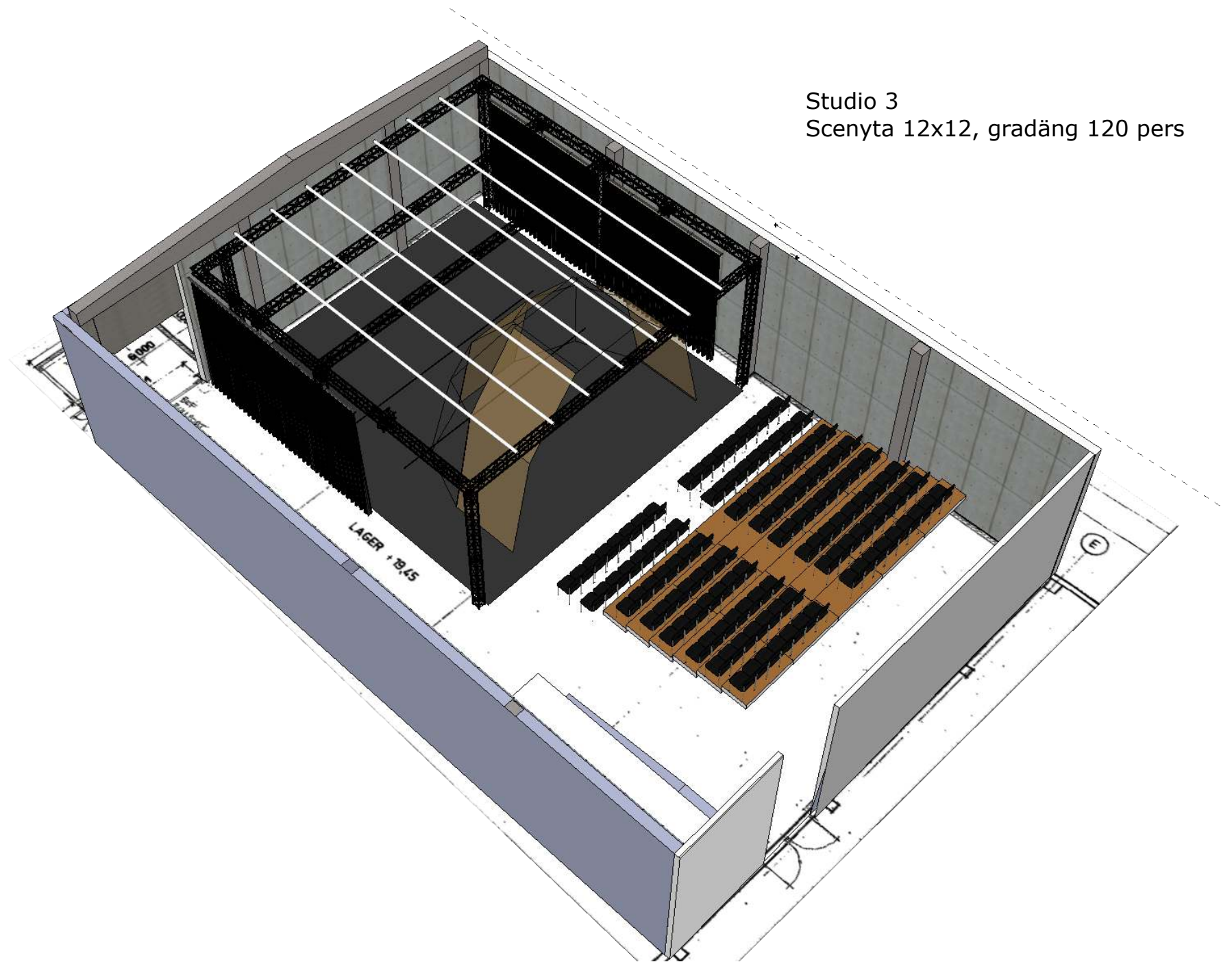
Prolyte H30V trussing with
Doughty 48x3mm tubes on top



Any modification or alteration of the structure is strictly prohibited.

No dynamic loads is allowed without approval from Subtopia rep.

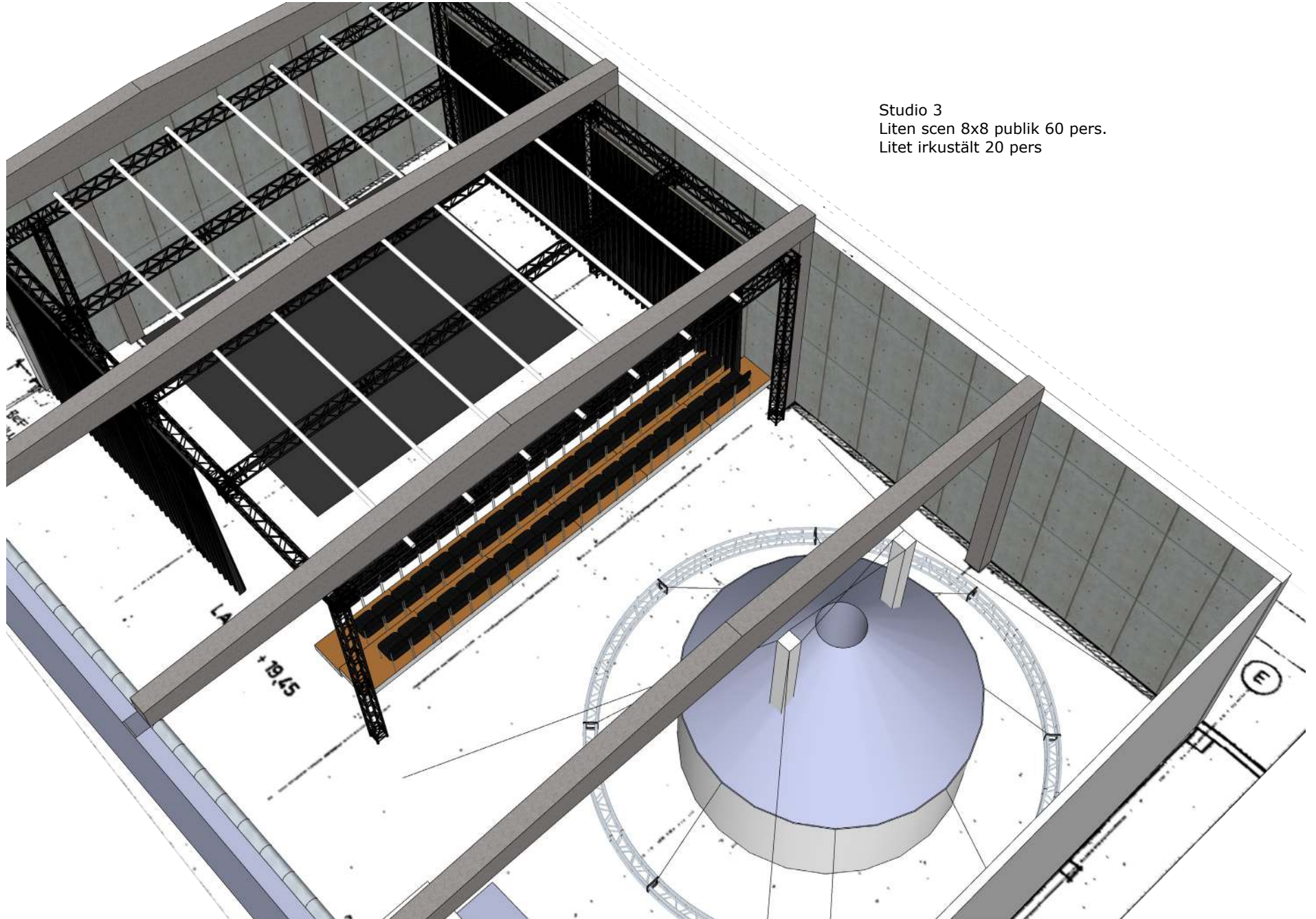
3D exempel



Studio 3

Scenyta 12x12, gradäng 120 pers

3D exempel



Studio 3
Liten scen 8x8 publik 60 pers.
Litet irkustält 20 pers

3D exempel

